

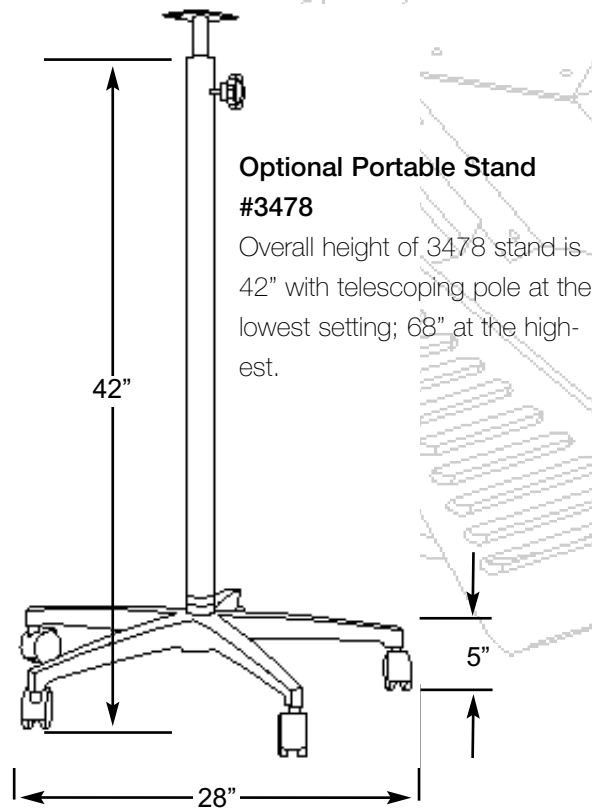
StaticClean

Hurricane 300 Industrial Ionizing Air Blower

This extended-range ionizing blower is designed to effectively and efficiently cover a wide target area (up to 10' away) with a high-output stream of ionized air.

Features:

- Ideal for benchtop and industrial overhead applications
- Lamp ON-indicator for visual verification of operation
- Variable fan speed control
- Fast decay/discharge rates
- Easily replaceable air filters
- Optional floorstand for flexible positioning



Specifications: Hurricane 300

Power:	H300 - 120 V, 60 Hz, 1PH H300-230 - 230 V, 50 Hz, 1PH
Size:	16 3/8" w x 9 3/4" h x 13 1/4" d
Weight:	18.2 lbs
Air Delivery:	H300 - variable 100-300 cfm H300-230 variable 90-240 cfm
Effective Coverage:	2' x 10' area
Discharge Time:	0.5 seconds at 1ft; fan speed high (decay 5000V to 500V; 20pf plate)
Certification:	H300 - UL certified H300-230 CE certified

