

**CM8  
CLEAN MACHINE**

**teknek**



# CM8 CLEAN MACHINE

The NEW 2009 CM8 from Teknek has been specifically designed to ensure it can be fully integrated into all Sheet Cleaning applications. Many industries such as PCB, LCD and Graphics to name but a few will benefit from this new innovative product.

The Teknek Cleaning Core inside the New CM8 is now available in a truly silicone free system. Nanocleen technology ensures all particles, even at sub-micron levels are lifted and transferred to a pre-sheeted Nanocleen Adhesive Roll. This new technology has pushed the boundaries of contact cleaning to a new and higher Teknek level.

## SPECIFICATION

Available in five cleaning widths	300 – 600 – 650 – 750 – 1000
Operating modes	Uni-Directional & Auto Reverse **
Processing speed	1 – 40 m/min
Static elimination	Uni-1 Bar, Auto-2 Bar
Pass line height	900 or 1000 +/- 50mm
Power supply "Universal"	85 – 264V AC
Air supply required	5 - 7 bar " Oil free air "

\*\* Different modes of operation are available on request



## FEATURES

## BENEFITS



Nanoclean™ Cleaning Core

As the innovators in Contact Cleaning, Teknek have responded to changing customer demands and with Nanoclean have re-invented contact cleaning technology. The ability to remove contamination and dissipate static from the material in one function is available with the Nanoclean Cleaning Core.

*Note:* Original Teknek elastomer rollers and pre-sheeted adhesive combination are available in all new CM8's.



Touch screen Interface

Driven towards a more user friendly operator interface, this new larger touch screen offers easy setup and control of the machine in many different Asian and European languages.



Side Access

The New CM8 design ensures all aspects of the Teknek Cleaning Core are available to both the operator and maintenance, this is achieved by means of full side access and easy removable covers. Better visibility of the adhesive rolls is achieved with additional viewing screens both at the front and sides of the machine.



Conveyors

Where the application demands a support system to process material in and out the CM8, we offer a range of Tape or Disc conveyors. The Tape design will support both rigid and flexible materials, the Disc design is more suited to materials such as glass etc.



Thin Film Support

The demand to process thinner and more flexible materials through the CM8 has been addressed by "Thin Film Support" which offers smooth transition of the material through the cleaning process. This feature is available as an optional extra and can be retrofitted.



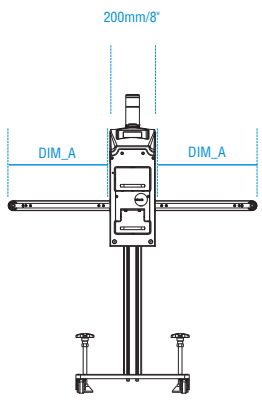
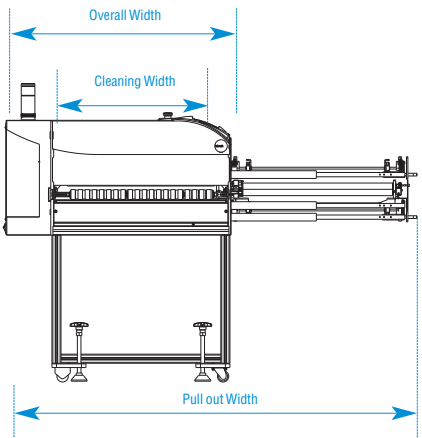
Top lift and Top drive

Developed to ensure the machine can process many different materials, top lift and top drive along with innovative software combine to achieve this function. Thick or thin, robust or sensitive this function works together to process any material.



# CM8 CLEAN MACHINE

## TECHNICAL SPECIFICATION



CM8 view with conveyors

MACHINE	CLEANING WIDTH	OVERALL WIDTH	PULLOUT WIDTH
CM8 - 300	320mm	724mm	1511mm
CM8 - 600	622mm	1026mm	1813mm
CM8 - 650	650mm	1026mm	1813mm
CM8 - 750	762mm	1166mm	1953mm
CM8 - 1000	1000mm	1404mm	2191mm

CONVEYOR TYPE	DIM_A
STANDARD TAPE	450mm
STANDARD DISC	470mm
STUBBY TAPE	127mm
STANDARD DISC	131mm



World leading Teknek Nanoclean™ cleaning core. Nanoclean™ is a silicone and static free system that is capable of cleaning particles smaller than 1 micron. Ideal for thin, sensitive materials such as polyimide, polyester, copper etc.

The solvent free Nanowipe is used to maintain the cleaning properties of the Nanoclean roller.



Teknek also produced a range of desktop cleaning products.

Combined with the Nanoclean™ range of rubber rollers and adhesive, they provide the first silicone and static free semi automatic cleaning station.

The best just got better!  
[www.teknek.com](http://www.teknek.com)

### WORLD LEADER IN CONTACT CLEANING

**Teknek Head Office**  
River Drive  
Inchinnan Business Park  
Renfrewshire, PA4 9RT  
Scotland, UK

T: +44 (0)141 568 8100  
F: +44 (0)141 568 8101

**Teknek Japan Ltd**  
Big Van Onoecho Building,  
6-83 Onoe-cho, Nakaku  
Yokohama City  
Japan 231-0015

T: +81 (0)45 640 0670  
F: +81 (0)45 640 0671

**Teknek China Ltd**  
Unit G02, G/F, Myloft,  
9 Hoi Wing Road,  
Tuen Mun, N.T.,  
Hong Kong

T: +852 2468 3160  
F: +852 2462 3036