

**DESKTOP
CLEAN MACHINE**

teknek





teknek

DESKTOP CLEAN MACHINE by TEKNEK

Process your material once with the New Compact DeskTop Clean Machine by TEKNEK.

A unique blend of key elements such as Nanoclean™, double sided cleaning, static dissipation and innovative design combine to create this new Semi Automatic Cleaning Station.

BENEFITS

+ Increase your productivity by 75%

The ability to clean both sides of the material at the same time reducing processing time and material handling.

+ Dissipate static charge

Nanoclean™ cleaning core plus specific materials chosen within the construction of the product give excellent static dissipating qualities.

+ Reduce material handling

No need to double handle your material, one pass through the machine simultaneously cleans both sides.

+ Cleans what others leave behind

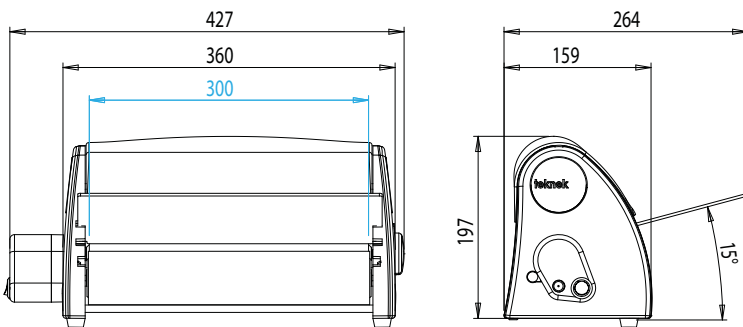
The Nanoclean cleaning core (Rollers and Adhesive) in the only silicone free cleaning solution available.

+ Clean room Compatible

Manufactured from specifically selected materials and a silicone free cleaning core ensures this product is suitable for all clean rooms.

DESKTOP SPECIFICATION

Available cleaning width:	300mm
Electrical requirements:	110v / 240v AC
Anti Static system:	Single 7kv bar on exit
Cleaning rollers:	Nanoclean as standard Other Teknek elastomers are available on request
Adhesive Rolls:	Nanoclean™



WORLD LEADER IN CONTACT CLEANING

Teknek Head Office
River Drive
Inchinnan Business Park
Renfrewshire, PA4 9RT
Scotland, UK

T: +44 (0)141 568 8100
F: +44 (0)141 568 8101

www.teknek.com

Teknek Japan Ltd
Meiji-Yasuda Seimei Building,
6-83 Onoe-cho Nakaku
Yokohama City
Japan 231-0015

T: +81 (0)45 640 0670
F: +81 (0)45 640 0671

Teknek China Ltd
14/F, Block C,
Hang Wai Industrial Estate
6 Kin Tai Street
TuenMun, HongKong

T: +852 2468 3160
F: +852 2462 3036

